

Technical documentation

Product information

Art. No: 6546

Product name: Pendant Iris 50

Material: Textile, metal

Gross Weight: 1pc/2,18kgs

Environment: Indoor

Cable: Beige textile cable 120 cm

Classification: Class II Max 60W

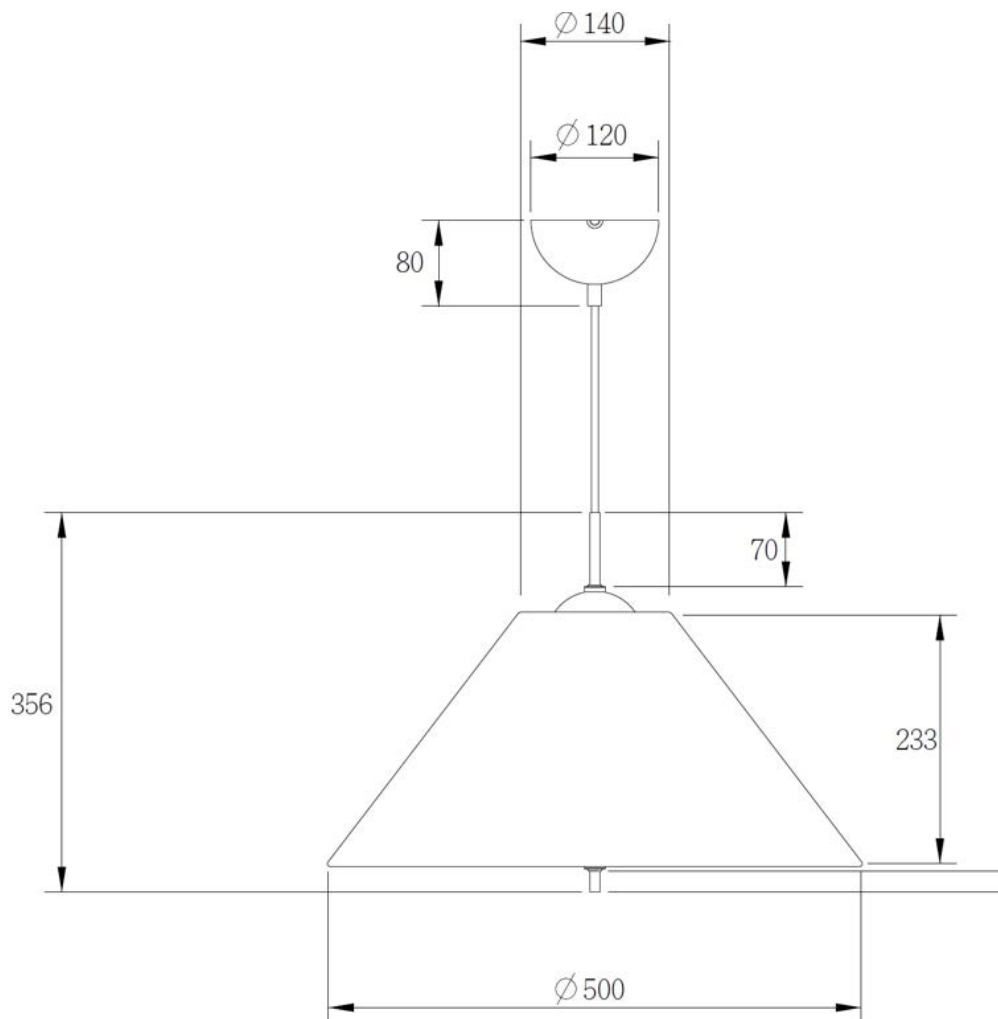
Voltage: 220-240V 50-60Hz

Light source: 1xE27 Max 60W

Country of origin: China



Dimensions



Technical documentation

Components

parts	Technical Specification	Note
power supply cord	H03VVH2-F 2*0.75mm ²	VDE40054482
lampholder	2A, T210°C	EN IEC60238